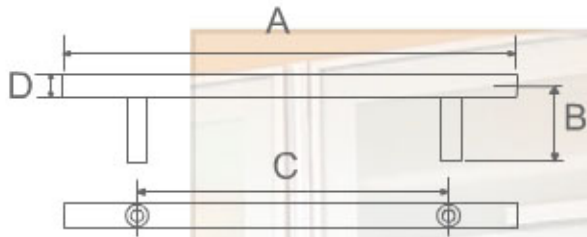


## SSFH001



Description	D(mm)	A(mm)	B(mm)	C(mm)
$\phi 12/\phi 10 \times 64$	$\phi 12/\phi 10$	100	34	64
$\phi 12/\phi 10 \times 96$	$\phi 12/\phi 10$	160	34	96
$\phi 12/\phi 10 \times 128$	$\phi 12/\phi 10$	190	34	128
$\phi 12/\phi 10 \times 160$	$\phi 12/\phi 10$	220	34	160
$\phi 12/\phi 10 \times 242$	$\phi 12/\phi 10$	300	34	242
$\phi 12/\phi 10 \times 320$	$\phi 12/\phi 10$	380	34	320
$\phi 12/\phi 10 \times 392$	$\phi 12/\phi 10$	450	34	392
$\phi 12/\phi 10 \times 592$	$\phi 12/\phi 10$	650	34	592
$\phi 12/\phi 10 \times 784$	$\phi 12/\phi 10$	840	34	392+392
$\phi 12/\phi 10 \times 984$	$\phi 12/\phi 10$	1150	34	492+492

Size can be manufactured as per customer's requests.

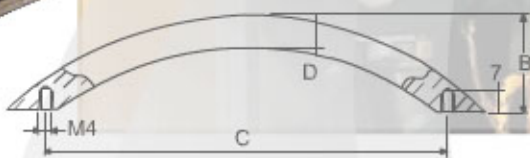
## SSFH002



Description	D(mm)	B(mm)	C(mm)
$\phi 10/\phi 8 \times 64$	$\phi 10/\phi 8$	32	64
$\phi 10/\phi 8 \times 76$	$\phi 10/\phi 8$	32	76
$\phi 10/\phi 8 \times 96$	$\phi 10/\phi 8$	32	96
$\phi 10/\phi 8 \times 128$	$\phi 10/\phi 8$	32	128
$\phi 10/\phi 8 \times 160$	$\phi 10/\phi 8$	32	160

Size can be manufactured as per customer's requests.

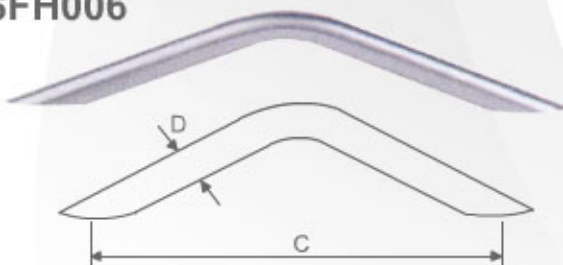
## SSFH005



Description	D(mm)	B(mm)	C(mm)
$\phi 10 \times 96$	$\phi 10$	30	96
$\phi 10 \times 128$	$\phi 10$	30	128
$\phi 10 \times 160$	$\phi 10$	30	160

Size can be manufactured as per customer's requests.

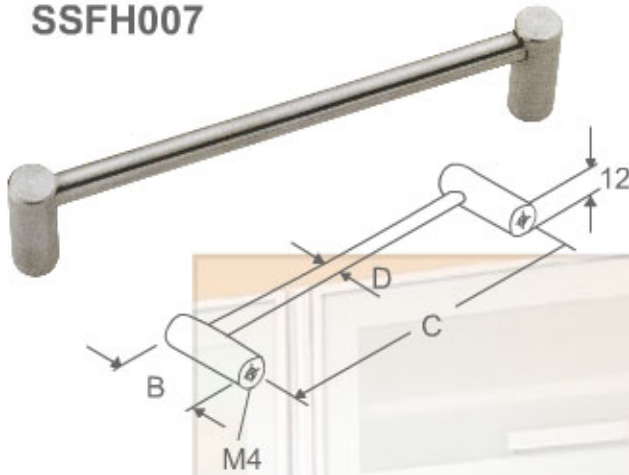
## SSFH006



Description	D(mm)	B(mm)	C(mm)
$\phi 10 \times 96$	$\phi 10$	34	96
$\phi 10 \times 128$	$\phi 10$	34	128
$\phi 10 \times 160$	$\phi 10$	34	160

Size can be manufactured as per customer's requests.

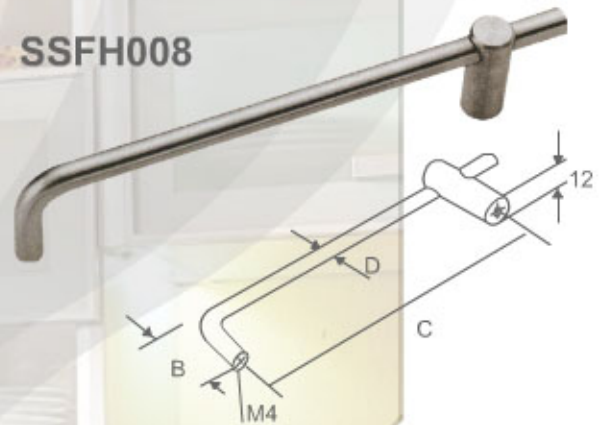
## SSFH007



Description	D(mm)	B(mm)	C(mm)
∅8 X 64	∅8	34	64
∅8 X 96	∅8	34	96
∅8 X 128	∅8	34	128
∅8 X 160	∅8	34	160

Size can be manufactured as per customer's requests.

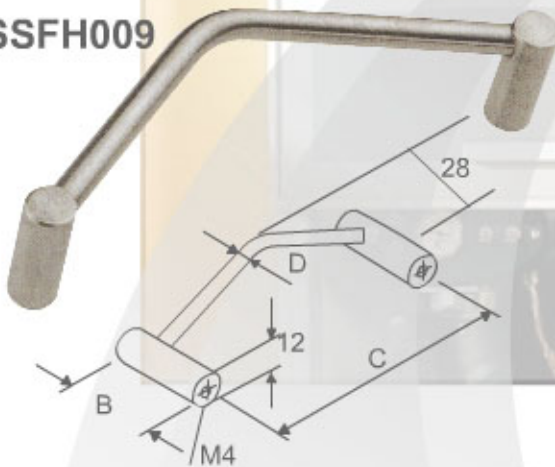
## SSFH008



Description	D(mm)	B(mm)	C(mm)
∅8 X 96	∅8	30	96
∅8 X 128	∅8	30	128
∅8 X 160	∅8	30	160

Size can be manufactured as per customer's requests.

## SSFH009



Description	D(mm)	B(mm)	C(mm)
∅8 X 64	∅8	34	64
∅8 X 96	∅8	34	96
∅8 X 128	∅8	34	128
∅8 X 160	∅8	34	160

Size can be manufactured as per customer's requests.

Description	D(mm)	B(mm)	C(mm)
∅8 X 64	∅8	34	64
∅8 X 96	∅8	34	96
∅8 X 128	∅8	34	128
∅8 X 160	∅8	34	160

Size can be manufactured as per customer's requests.

## SSFH010

